



ZHONGSHENG

SPECIALIZE IN FRP PULTRUSION

www.frpzs.com

HENAN ZHONGSHENG COMPOSITE MATERIAL CO., LTD.

FIBERGLASS PULTRUSION EQUIPMENT · MOLD · PROFILE

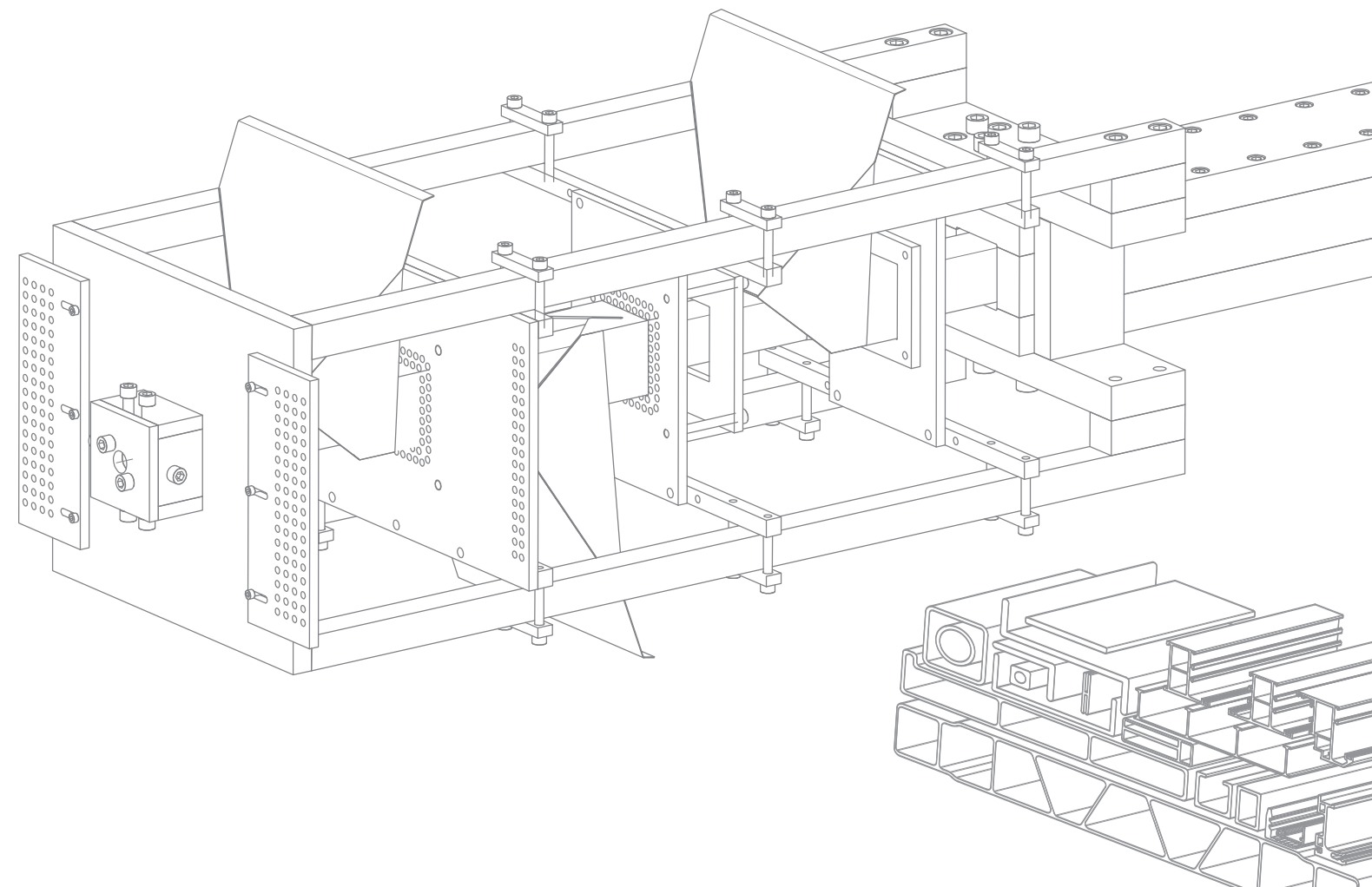
HENAN ZHONGSHENG COMPOSITE MATERIAL CO., LTD.

Add: Intersection of West Ring Road and North Ring Road in Muye District, Xinxiang City.

WhatsApp / Tel: +86 153 0373 5673

E-mail: Jessica@frpzs.com

Web: www.frpzs.com



COMPANY PROFILE

18 Year
Industry experience

2019 Year
Start with

20000 m²
Factory area

ISO9001
Product certification

SPECIALIZE IN FRP PULTRUSION

Years of research and development have led to the discovery of the true value of polymer composites. We focus on every detail and strive for perfection, taking into account all factors related to composites.

With our sincere understanding of composites,
we make machines, molds, profiles, and technologies come to life

Henan Zhongsheng Composite Material Co., Ltd., located in Xinxiang City, Henan Province, covers an area of 20,000 square meters and has a registered capital of 15 million yuan. It is an innovative company integrating FRP pultruded profiles, machines, molds, and technology.

The main products include FRP pultrusion machine, FRP pultrusion molds, and the production of polyester, epoxy, and polyurethane pultruded profiles. Our products are sold all over the world. With leading technology, excellent products, and quality after-sales service, Zhongsheng has won the praise of all walks of life and has become a high-quality supplier of FRP pultruded profiles worldwide.

"With exquisite, dedicated to FRP pultruded profiles", we have always been committed to providing customers with high-quality pultrusion machine, high-quality FRP molds, and high-performance profiles, as well as providing technical services and technical support for the industry. We are willing to establish extensive contacts with domestic and foreign companies and institutions, and make new contributions to the development of the global FRP industry together!



COMPANY STRENGTH

We are always committed to the development and research of pultruded profiles, with advanced production machines, leading processing technology, and strong production capacity, to provide customers with one-of-a-kind solutions.



TECHNICAL STRENGTH

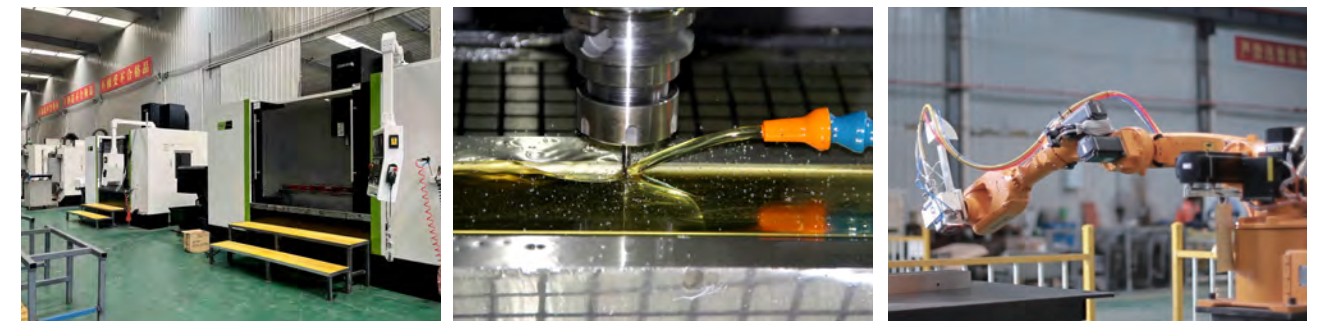
Zhongsheng is committed to creating high-quality FRP products. Since its inception, we have placed technical research and development work at the top of our priorities. We have a research team with 18 years of industry experience and a technical production team of 91 people, who can control every detail of our products.

PROCESSING STRENGTH

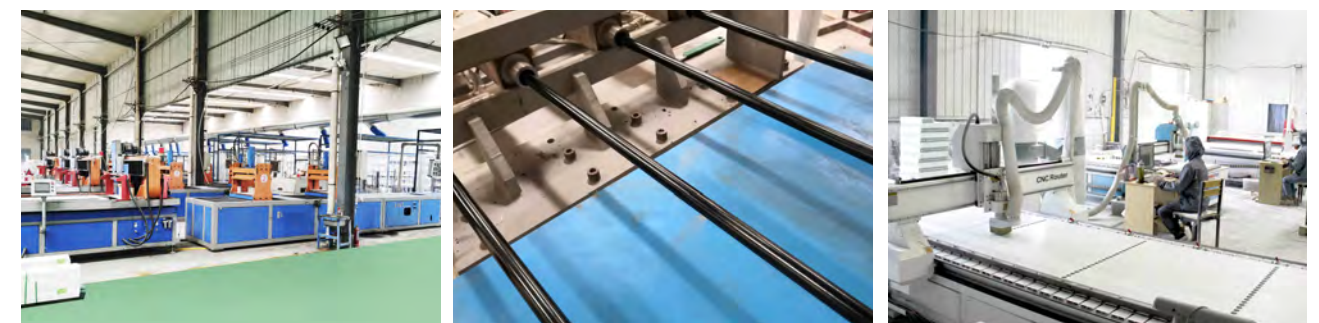
- 8 machining centers, 7 CNC flat grinders, 5 precision milling machines, 2 wire cutting machines, 2 EDM machines, 2 2.5D inspection instruments and other processing machine more than 40.
- 26 pultrusion production lines, with traction from 3 to 50 tons. Can meet the production of different profile products, stable production capacity.



Equipment Workshop



Mold Workshop



Profile Workshop

FRP PULTRUSION MOLD

Pultrusion injection mold

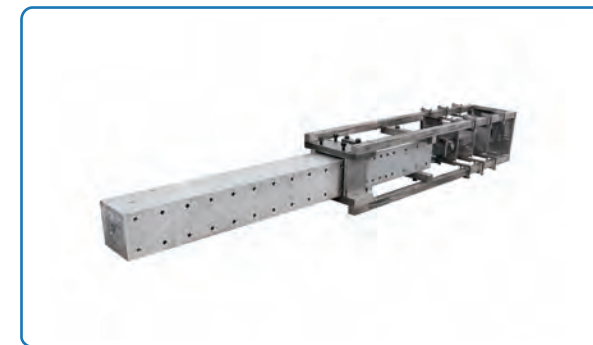
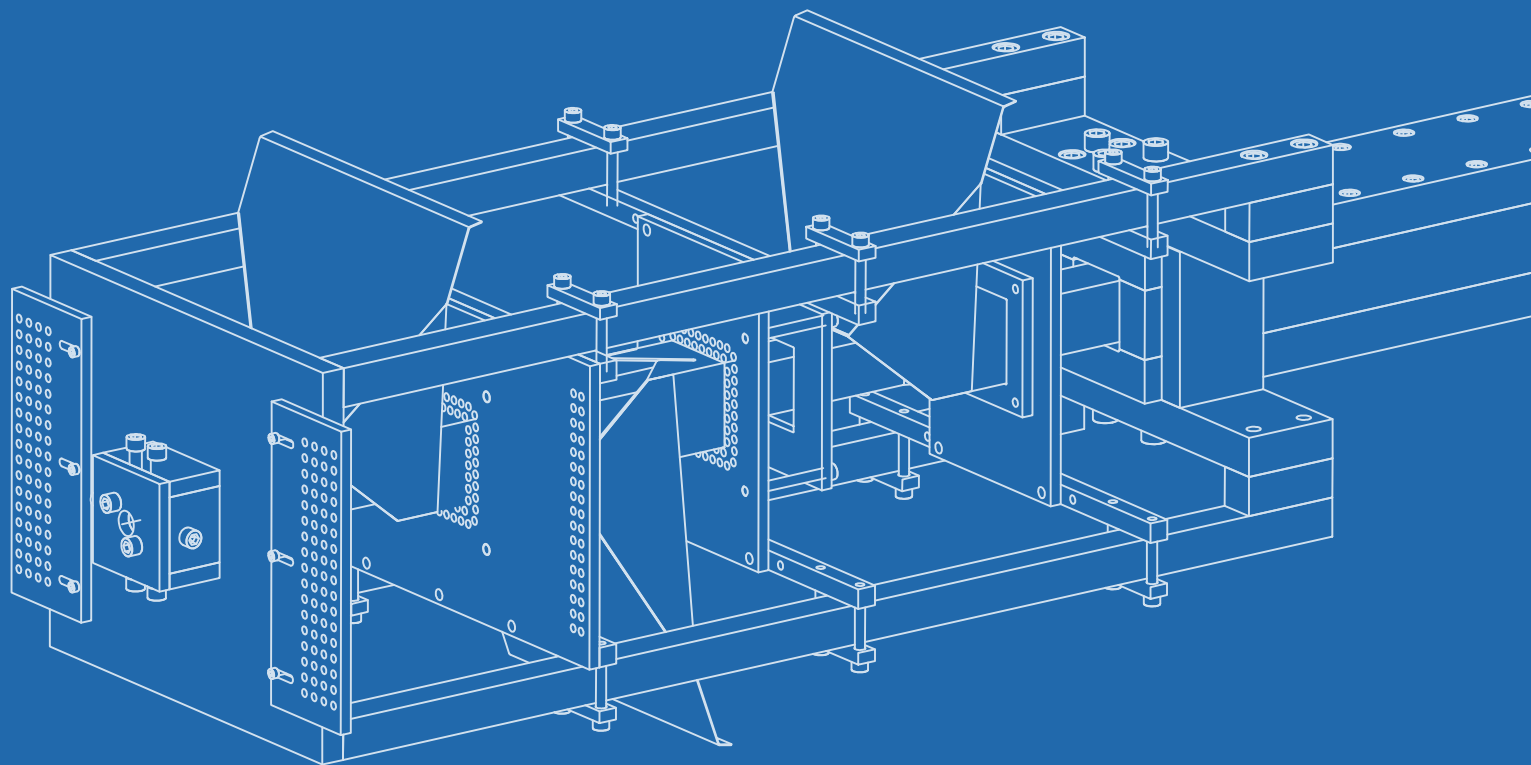
- Solve the problem of curing resin in the tank.
- Yarn does not pass through the trough, yarn path visualization, not easy to mess.
- Special high pressure glue injection technology, good infiltration.
- The preforming operation space is large and the design is more reasonable.



+86 153 0373 5673

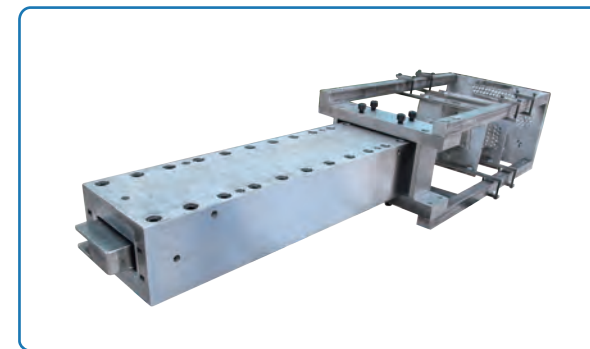
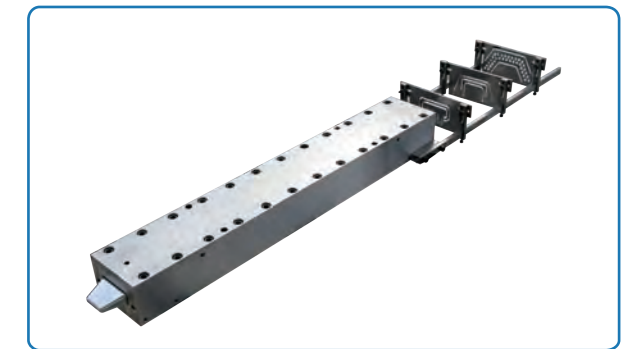
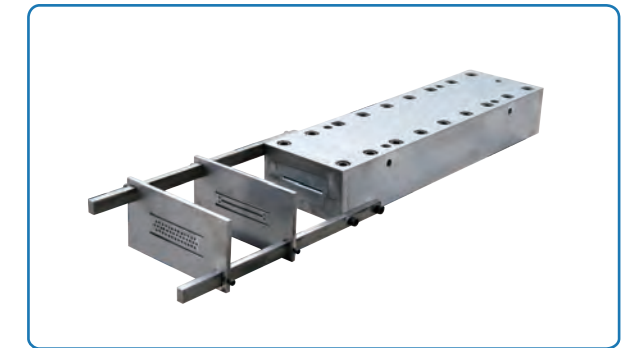
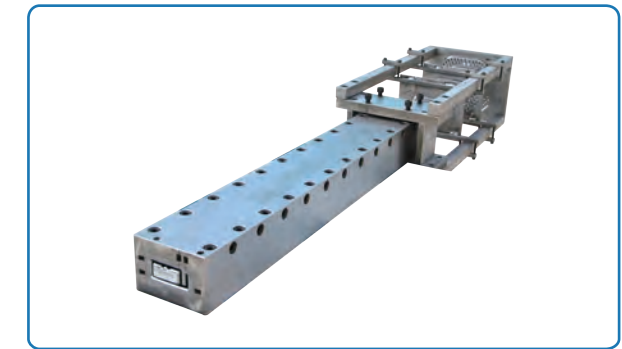
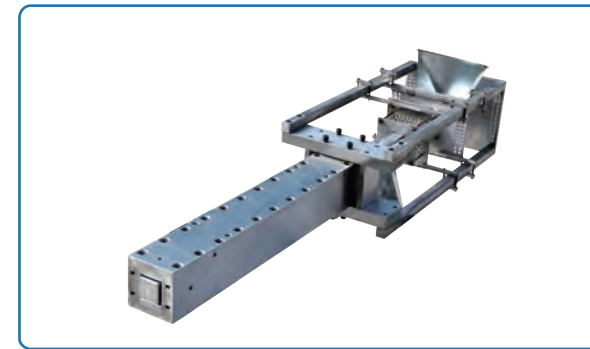
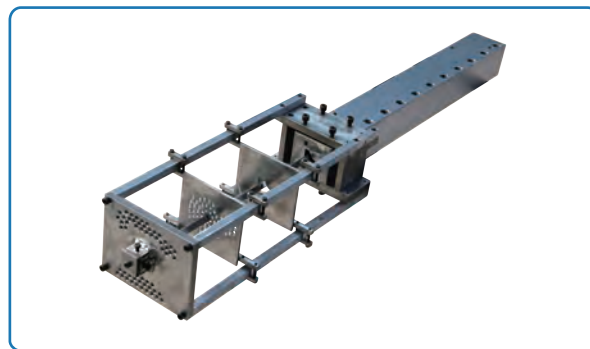
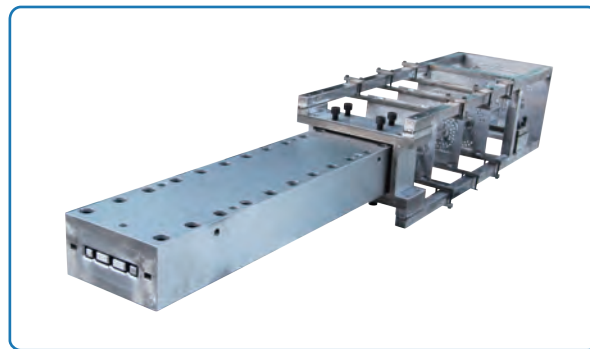
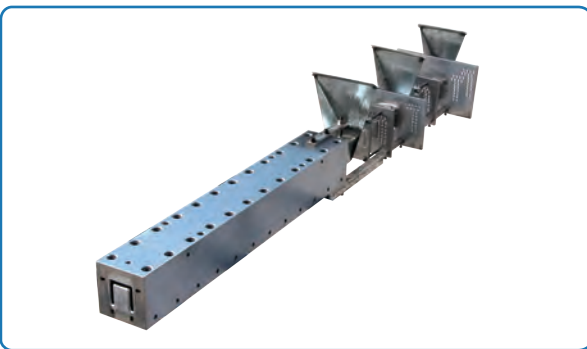
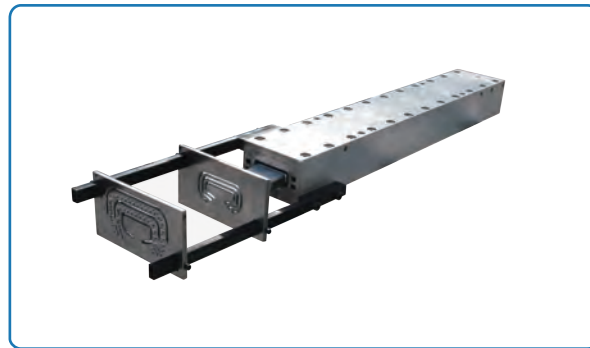
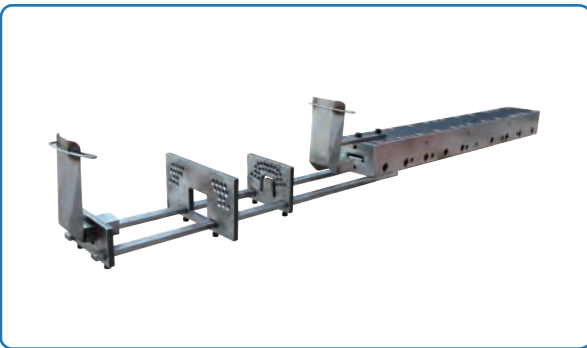
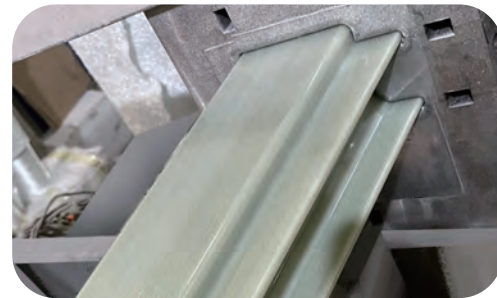
jessica@frpzs.com

www.frpzs.com



Pultrusion and impregnation mold

- The process is simple and easy to operate.
- Strong versatility.



8 ADVANTAGES OF MOLD

Quality one-stop control, good molds produce good profiles, and provide customers with unique composite solutions.



◆ COMPLETE PROCESSING EQUIPMENT

01

We have advanced processing equipment to provide strong guarantee for high-quality molds.

Design a more reasonable product structure based on customer product style and performance requirements.

02

◆ REASONABLE PRODUCT STRUCTURE



◆ SELECTED HIGH-QUALITY MOLD MATERIALS

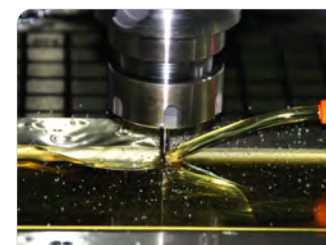
03

Use Shanghai Baosteel P20H high-quality mold material to ensure material hardness performance and product quality requirements.

Laser surface quenching is used, and the laser quenching surface hardness is HRC50-55, making the mold cavity wear-resistant and durable.

04

◆ LASER QUENCHING



◆ GOOD STRAIGHTNESS

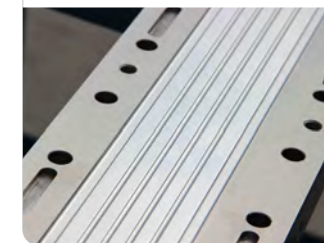
05

The straightness of the mold cavity is controlled at 0.02mm, making the profile extrusion smoother and of higher quality.

Through high-precision precision grinding machines, the processing accuracy can be controlled within $\pm 0.01\text{mm}$.

06

◆ HIGH CAVITY PRECISION



◆ GOOD SMOOTHNESS

07

The mold cavity has good smoothness and flatness, making it easy to demould. The surface of the pultruded product is smooth, beautiful and beautiful.

Made of high-quality materials and fine craftsmanship, it has a long service life and high cost performance.

08

◆ LONG SERVICE LIFE



QUALIFICATION HONOR

Ensure the stability and reliability of products, and continuously improve market competitiveness. All kinds of qualifications and certificates are complete, the core competitiveness of products is higher, the quality is reliable, the quality is excellent, and it is more at ease to use!



CORPORATE PURPOSE

ATTITUDE

Attitude determines height, and customer satisfaction is our satisfaction.

QUALITY

Quality determines survival, and customer requirements are our requirements.

ATTITUDE

Details determine success or failure, and customer success is our success. Everything is centered on the customer, correct attitude, ensure quality, and pay attention to details!



ISO 14001
Environmental management system certificate



ISO 45001
Occupational health and safety management system certificate



ISO 9001
Quality management system certificate

+86 153 0373 5673

jessica@frpzs.com

www.frpzs.com



SERVICE COMMITMENT

Zhongsheng Composite material to fulfill the gold medal service commitment: from pre-sale to after-sales, we will spare no effort to provide you with a total solution and one-stop service



1 TO 1 EXCLUSIVE CUSTOMER SERVICE

One-on-one customized services to provide you with For personalized advice and support.



7*24 QUICK RESPONSE

We are online around the clock and at all times, responding promptly to provide you with rational solutions.



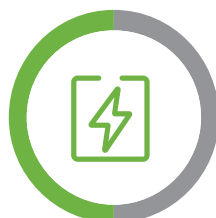
PROFESSIONAL TECHNICAL GUIDANCE

Professional technical team provides you with high-quality pre-sales and after-sales technical support



PRODUCT QUALITY ASSURANCE

Strict quality management methods to provide you with better products



EXPRESS DIRECT SERVICE

For your urgent needs, we provide you with quick solutions.



PRODUCT WARRANTY SERVICE

Customized product warranty services give you peace of mind.

Service Process

Zhongsheng composite is oriented to customer interests, tailor-made solutions, careful and sincere, and boundless service

- 01 Communication consultation
- 02 Technical Exchange
- 03 Scheme design
- 04 Order signing
- 05 Processing and production
- 06 Quality inspection
- 07 Regular follow-up
- 08 Supply and maintenance

